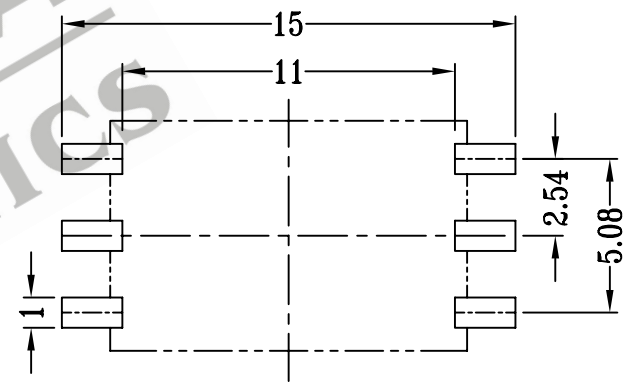
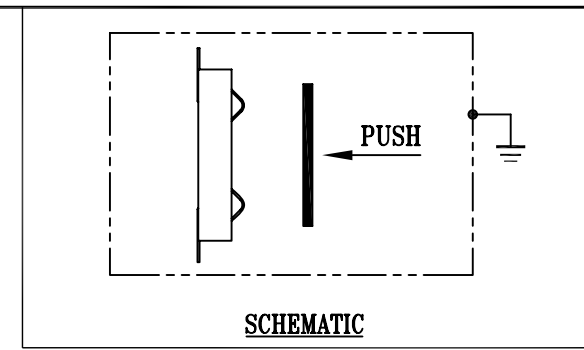
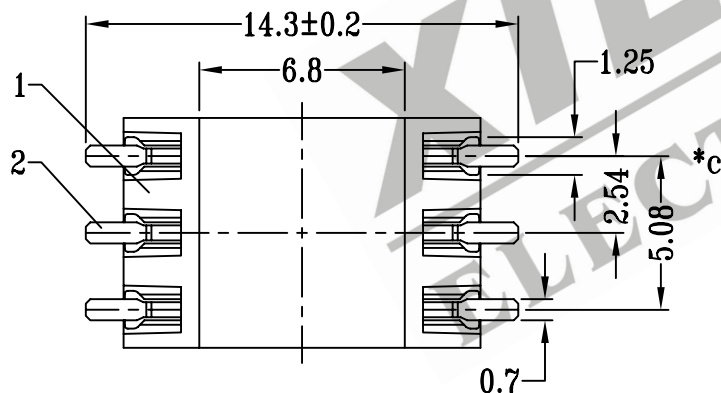
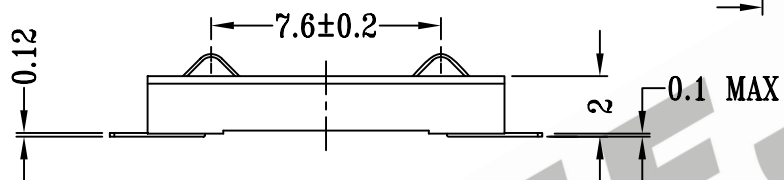
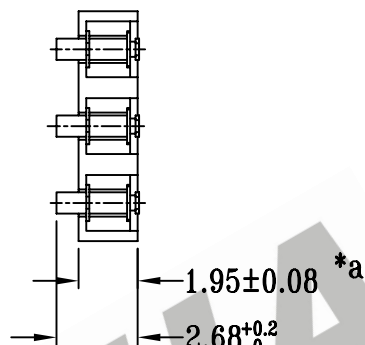
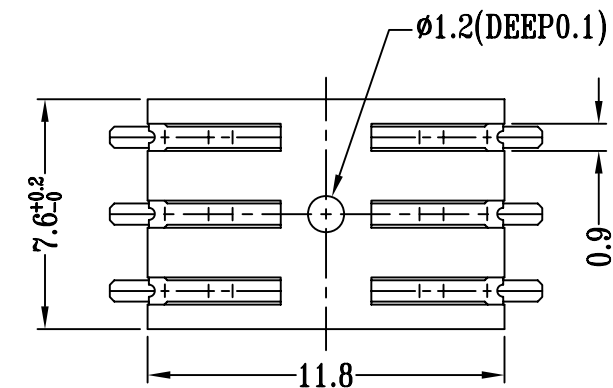


CAD FILE:



P.C.B LAYOUT

注:带"*"表示关键尺寸(3个)

8					TOLERANCE	SHENZHEN XIEJIA ELECTRONICS CO.,LTD.			
7					UNLESS SPECIFIED				
6					WITHIN: 1.5±0.1mm	ISSUE	DATE	DESCRIPTIONS OF REVISION	APPD.
5				OVER: 1.5±0.2mm					
4					TITLE: SIM CARD CONNECTOR	UNIT: mm	DRWG NO.: XJ-DR-SCR001-00		
3					MODEL: SCR-001	SCALE: 4:1	DWN.	ZHOUYU	2004-8-19
2	TERMINAL	PBS C5210R-SH	6	Au PLATED OVER Ni PLATED			CHK'D	FANGYING	2004-8-19
1	CASE	PA6T+F.G30%	1	BLACK			APPD.	KANGXINAN	2004-8-19
NO.	PARTS	MATERIALS	Q'TY	FINISH	ALL MATERIALS MUST BE COMPLIANT TO ROHS				